

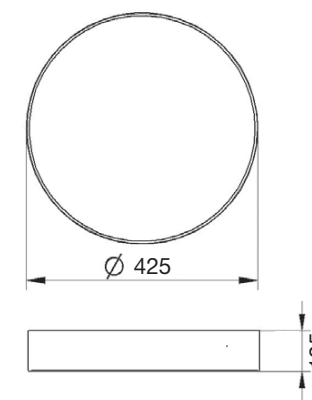
PLAFO 430 LED PND

Pendent LED luminaire with opal diffuser. Light source - Fortimo LED Line or PrevaLED Linear. Standard EVG ballast, Touch DALI version on request. Body is made of steel and aluminium and is available in all RAL colours. Standard length of suspension set - 1,5 meter.

High quality, energy efficient white LED light with CRI 80.

Perfect replacement for conventional T5 luminaires in:

- Offices
- Public buildings
- Hotel lobbies and receptions
- Retail



Index no.	Lumen output	Wattage	System efficacy	Colour temp.	Colour rendering index	Lifetime	Weight
0000-003513.PND.LL2600/830	4x650 lm	4x5,1W	128 lm/W	3000K	80 Ra	50,000 h	3,70 kg
0000-003513.PND.LL2600/840	4x650 lm	4x5,1W	128 lm/W	4000K	80 Ra	50,000 h	3,70 kg