

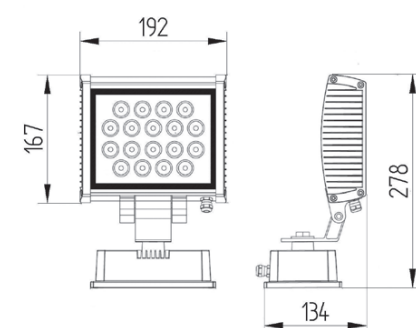
LED FLOOD 18

Ground mounted LED IP65 spot lamp. Light source - PowerLED diods. Body is made of die cast aluminium - standard gray, other colours on request. Diffuser - clear or mat tempered glass.

This luminaire is available with different colour temperatures of LED diodes listed below. Wattage and lumen output depends on the length and number of LED diodes in the luminaire. Single LED diode has 1,12W and lumen output of each diode depends on the colour temperature. For example, LED FLOOD 18 with 18 LED diodes and colour temperature of 4000K has 20,16W and 1620 lm.

Colour temp.	Lumen output	Wattage / one diode
2700K	70 lm/diode	1,12W
3000K	80 lm/diode	1,12W
4000K	90 lm/diode	1,12W
5000K	100 lm/diode	1,12W
6000K	110 lm/diode	1,12W

- IP65
- 230 V
50 Hz
- F
- ⏏
- CE



Index no.	Number of diods	Weight
0000-003501.18	18	1,70 kg