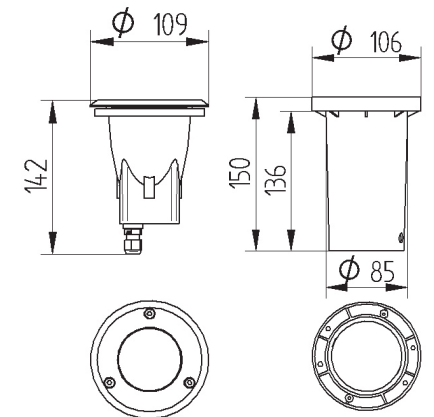


METEOR MINI LED

Ground mounted outdoor luminaire. Body is made of stainless steel and aluminium. Front ring is available in all RAL colours. Light source - Philips Master LED Spot.



Index no.	Lumen output	Wattage	Colour temp.	Colour rendering index	Lifetime	Socket	Beam angle	Weight
0000-002325.430/25/827	430 lm	8W	2700K	>80 Ra	40,000 h	GU10	25°	0,90 kg
0000-002325.430/40/827	430 lm	8W	2700K	>80 Ra	40,000 h	GU10	40°	0,90 kg
0000-002325.450/25/830	450 lm	8W	3000K	>80 Ra	40,000 h	GU10	25°	0,90 kg
0000-002325.450/40/830	450 lm	8W	3000K	>85 Ra	40,000 h	GU10	40°	0,90 kg
0000-002325.450/25/840	450 lm	8W	4000K	>85 Ra	40,000 h	GU10	25°	0,90 kg
0000-002325.450/40/840	450 lm	8W	4000K	>85 Ra	40,000 h	GU10	40°	0,90 kg



Mounting base