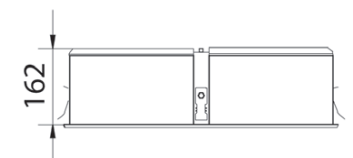
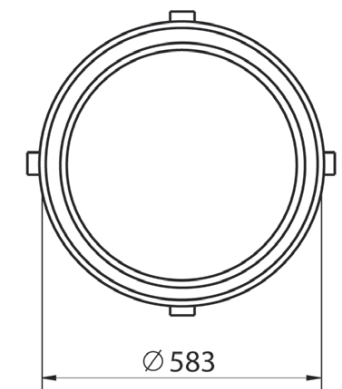
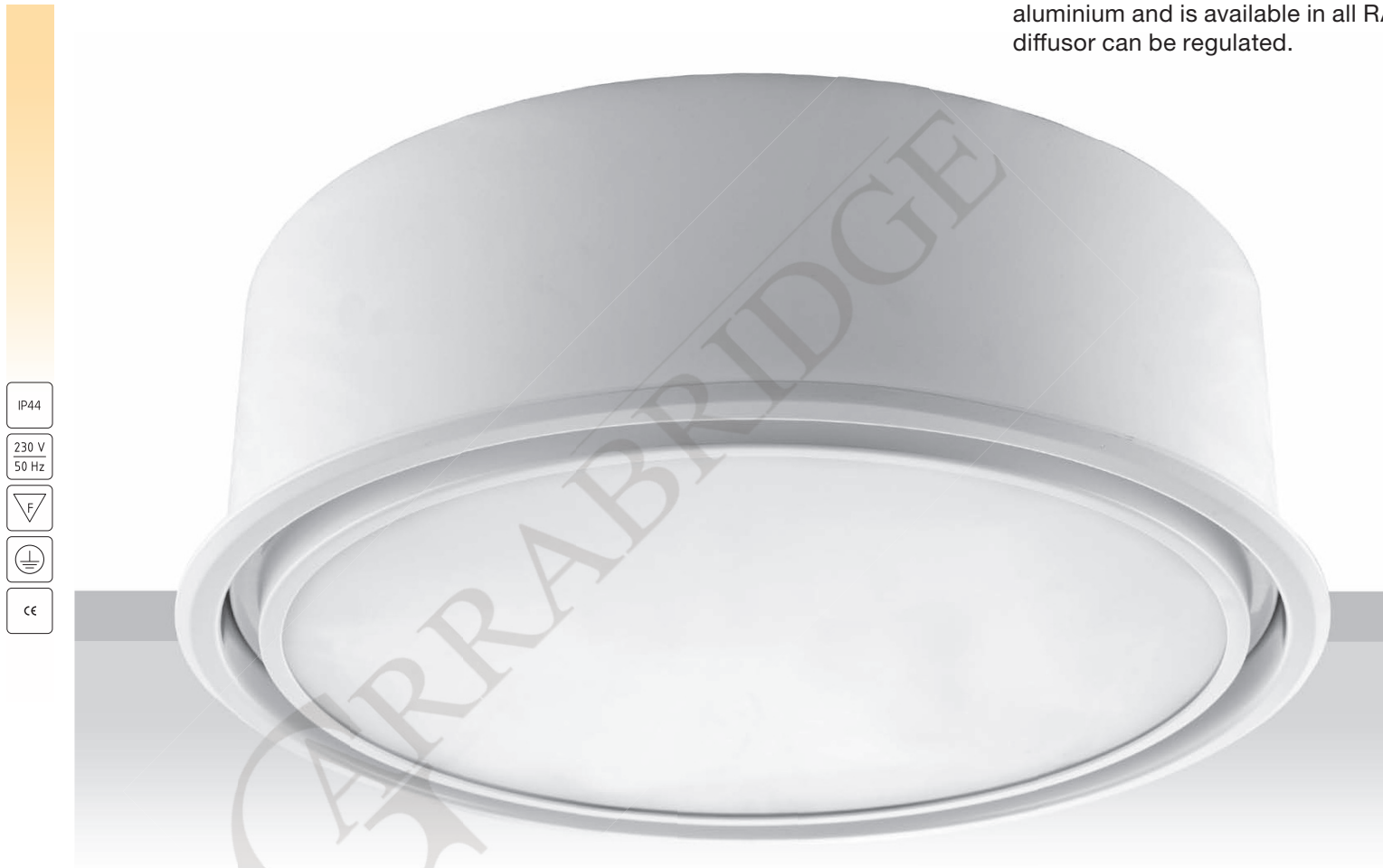


Recessed luminaire for circular T5 lamp. Body is made of steel and aluminium and is available in all RAL colours. Diffuser - opal, the level of diffuser can be regulated.



Index no.	Lamp	Weight	Socket
0000-002843.160E	EVG, 1x60W TL-5C	3,60 kg	2GX13