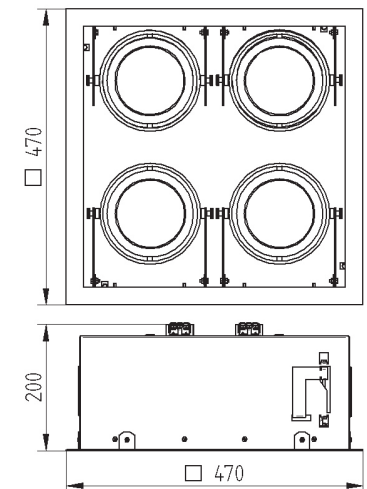


Recessed adjustable luminaire for CDM-T or SDW-TG lamps. Body is made of steel and aluminium and is available in all RAL colours.

- IP20
- 230 V  
50 Hz
- F
- ⊥
- CE



435 x 435

Index no.	Lamp	Weight	Socket
226.435V	VVG, 4x35W CDM-T	16,10 kg	G12
226.435E	EVG, 4x35W CDM-T	12,10 kg	G12
226.470V	VVG, 4x70W CDM-T	16,10 kg	G12
226.470E	EVG, 4x70W CDM-T	12,10 kg	G12
226.4150V	VVG, 4x150W CDM-T	19,70 kg	G12
226.4150E	EVG, 4x150W CDM-T	14,70 kg	G12