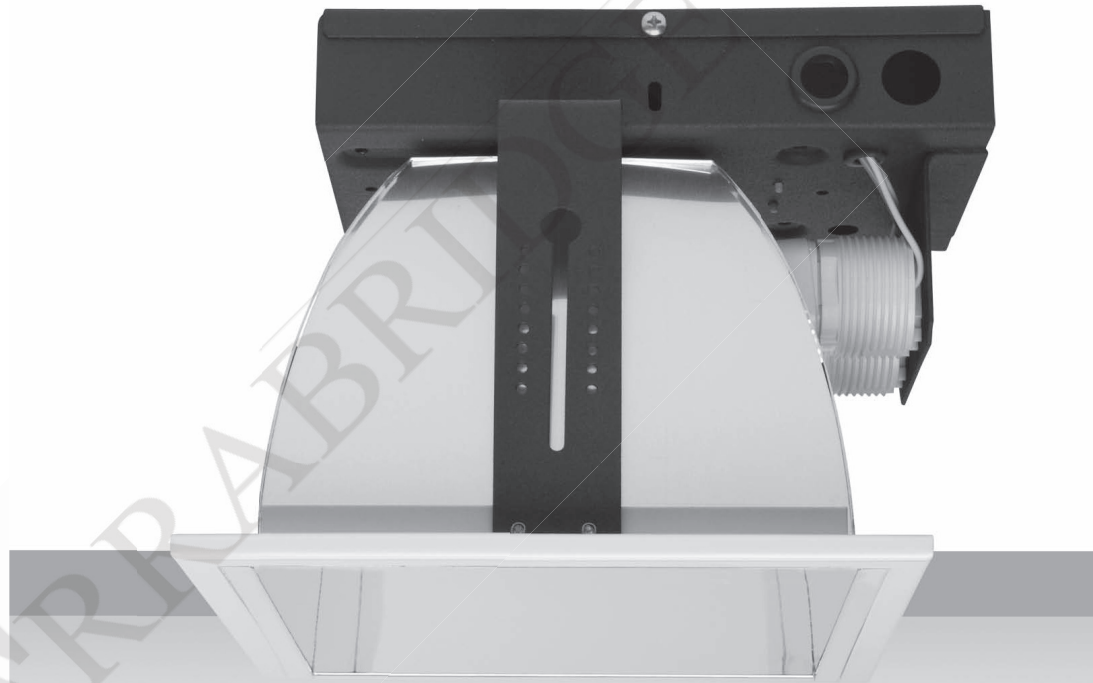


Recessed square downlight for compact fluorescent lamps. Body (standard zinc, painted black on request) and ring (standard white, other colours on request) are made of steel.



- IP20
- 230 V
50 Hz
- F
- ⊕
- CE



Technical extras upon request:

1. Emergency supply
- battery pack 1/2/3h (please add EM1, EM2 or EM3 after index number)
2. Compensation or passive power (capacitor).
Please add COMPENSATION after index number.
3. Dimmable ballast EVG DIM (1-10 V).
Please add EVG DIM after index number.
4. Digital dimmable ballast (DALI).
Please add DALI after index number.



Easy installation - without tools.



Mounting brackets.

Available decorative accessories:
- IP20 decorative glass (clear or mat)
- IP44 decorative glass (clear or mat)

All downlights are available with remote gearbox.
Please add RGB after index number

Index no.	Lamp	Weight	Socket
269.113V	VVG, 1x13W TC-D	1,45 kg	G24d - 1
269.113E	EVG, 1x13W TC-DEL	1,30 kg	G24q - 1
269.118V	VVG, 1x18W TC-D	1,45 kg	G24d - 2
269.118E	EVG, 1x18W TC-DEL	1,30 kg	G24q - 2
269.126V	VVG, 1x26W TC-D	1,55 kg	G24d - 3
269.126E	EVG, 1x26W TC-DEL	1,45 kg	G24q - 3
269.213V	VVG, 2x13W TC-D	1,75 kg	G24d - 1
269.213E	EVG, 2x13W TC-DEL	1,45 kg	G24q - 1
269.218V	VVG, 2x18W TC-D	1,75 kg	G24d - 2
269.218E	EVG, 2x18W TC-DEL	1,45 kg	G24q - 2

