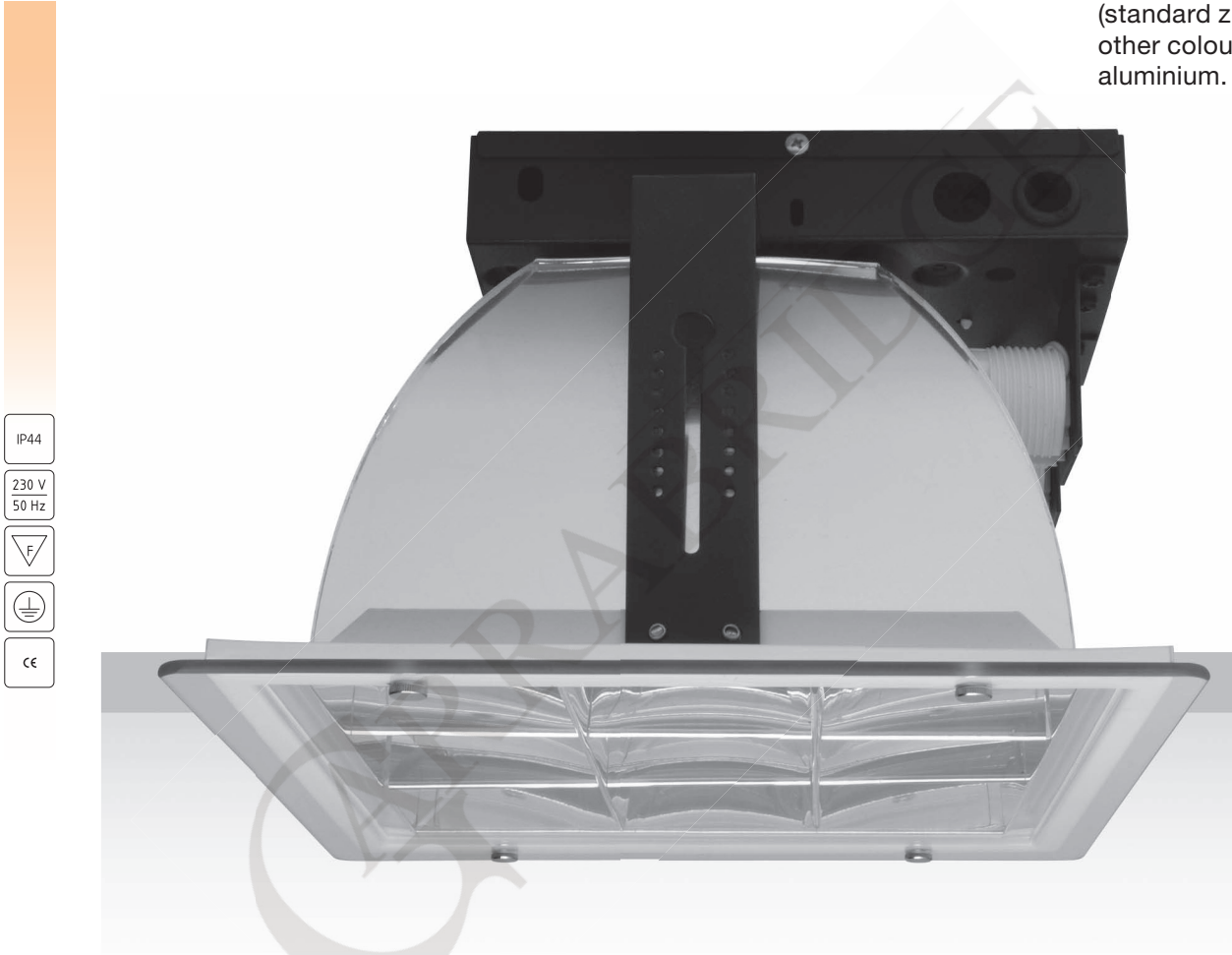


Recessed square downlight for compact fluorescent lamps. Body (standard zinc, painted black on request) and ring (standard white, other colours on request) are made of steel. Reflector made of aluminium.

Technical extras upon request:

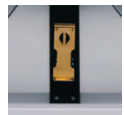
1. Emergency supply
- battery pack 1/2/3h (please add EM1, EM2 or EM3 after index number)
2. Compensation or passive power (capacitor).
Please add COMPENSATION after index number.
3. Dimmable ballast EVG DIM (1-10 V).
Please add EVG DIM after index number.
4. Digital dimmable ballast (DALI).
Please add DALI after index number.



- IP44
- 230 V
50 Hz
- F
- ⏚
- CE



Easy installation – without tools.



Mounting brackets.

All downlights are available with remote gearbox. Please add RGB after index number

Index no.	Lamp	Weight	Socket
24.255.213V	VVG, 2x13W TC-D	3,25 kg	G24d - 1
24.255.213E	EVG, 2x13W TC-DEL	3,00 kg	G24q - 1
24.255.218V	VVG, 2x18W TC-D	3,25 kg	G24q - 2
24.255.218E	EVG, 2x18W TC-DEL	3,00 kg	G24q - 2
24.255.226V	VVG, 2x26W TC-D	3,25 kg	G24d - 3
24.255.226E	EVG, 2x26W TC-DEL	3,00 kg	G24q - 3
24.255.232E	EVG, 2x32W TC-TEL	3,00 kg	GX24q - 3
24.255.242E	EVG, 2x42W TC-TEL	3,00 kg	GX24q - 4

235 x 235

