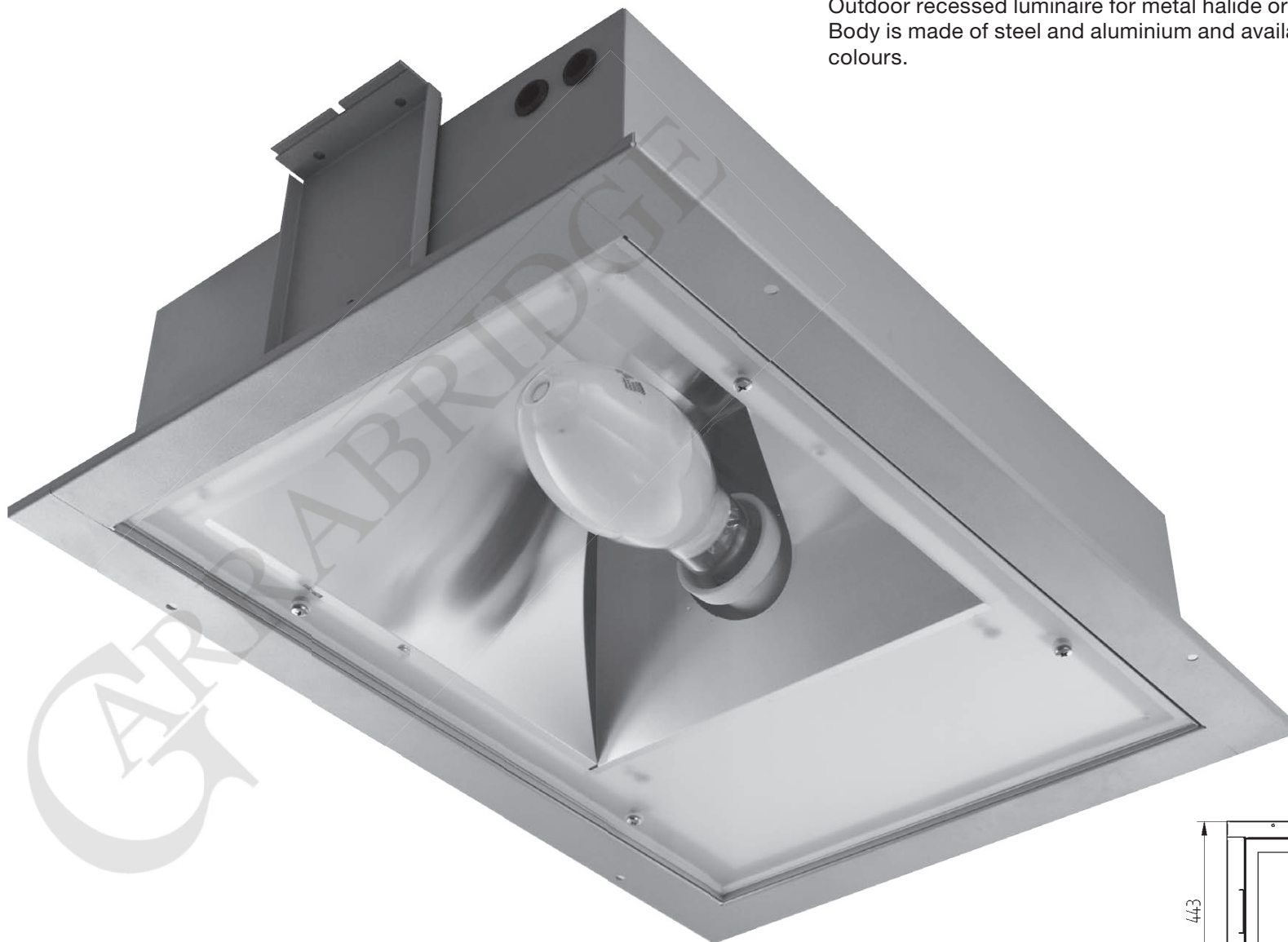


Outdoor recessed luminaire for metal halide or sodium lamp.  
Body is made of steel and aluminium and available in all RAL colours.



- IP54
- 230 V  
50 Hz
- F
- ⏚
- CE



Index no.	Lamp	Weight	Socket
0000-002739.1150V	VVG, 1x150W HI-T	6,90 kg	E40
0000-002739.1250V	VVG, 1x250W HI-T	6,90 kg	E40
0000-002739.1400V	VVG, 1x400W HI-T	7,50 kg	E40

