

Surface (wall or ceiling) mounted luminaire for QR111 lamp. Body is made of steel and aluminium. All RAL colours are available.

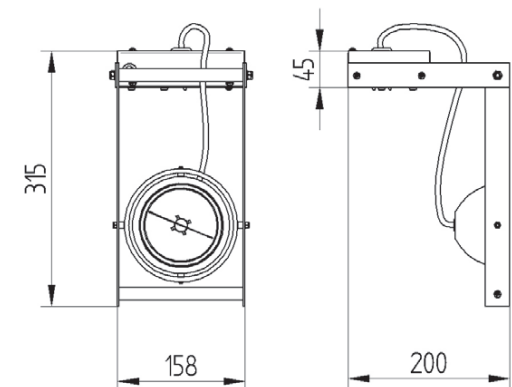


IP20

230 V  
50 Hz



CE



Index no.	Lamp	Weight	Socket
0000-002207.1QR111	1xQR111	2,10 kg	G53