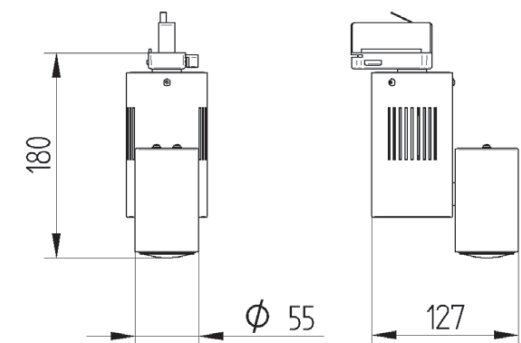


Track mounted spot lamp for new CMH MR16 lamp. Body is made of steel and aluminium. All RAL colours are available.



- IP20
- 230 V
50 Hz
- F
- ⏏
- CE



Index no.	Lamp	Weight	Socket
240.20E	EVG, 1x20W CMH MR16	0,40 kg	GX10