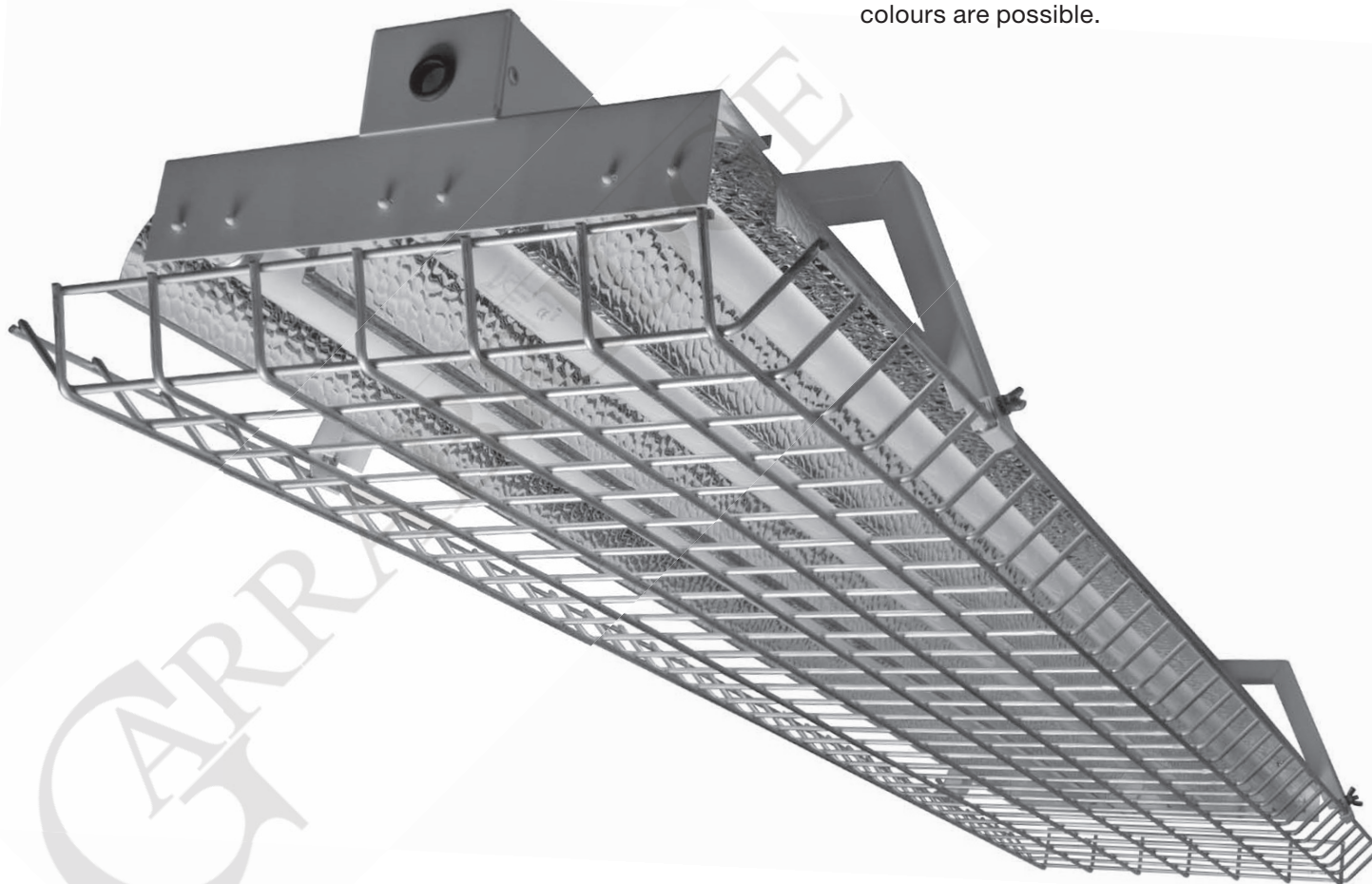


Pendent or surface mounted luminaire for T5 or T8 lamps. Body is made of steel and aluminium. Application - gymnastic halls. All RAL colours are possible.

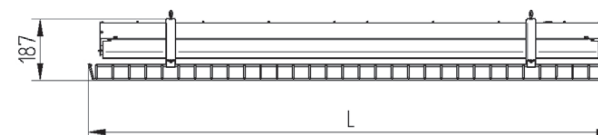
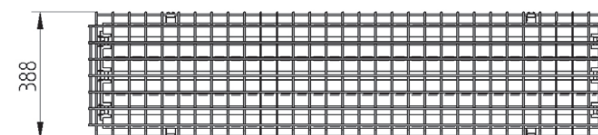


IP20

230 V
50 Hz



CE



Index no.	Lamp	Weight	Socket	Length
0000-002684.336E	EVG, 3x36W T8	11,00 kg	G13	1300 mm
0000-002684.358E	EVG, 3x58W T8	15,00 kg	G13	1600 mm