

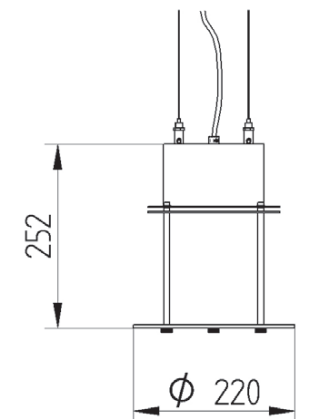
Pendent luminaire for compact fluorescent lamp. Body is made of steel and aluminium. All RAL colours are available.

IP20

230 V
50 Hz



CE



Index no.	Lamp	Weight	Socket
0000-002193.118E	EVG, 1x18W TC-DEL	2,00 kg	G24q-2
0000-002083.135E	EVG, 1x35W CDM-T	2,60 kg	G12
0000-002083.170E	EVG, 1x70W CDM-T	2,60 kg	G12