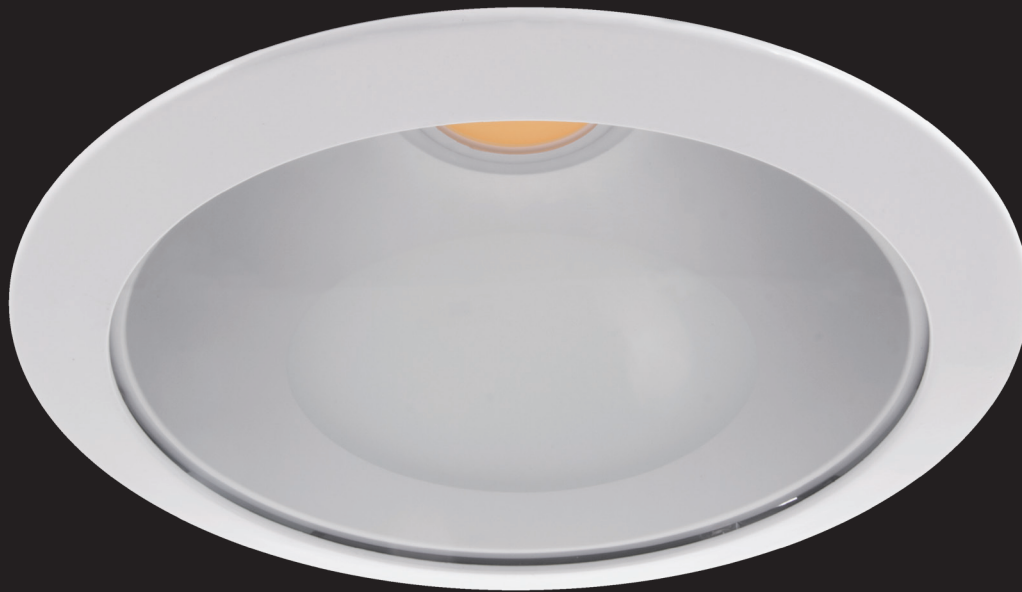


LED 270

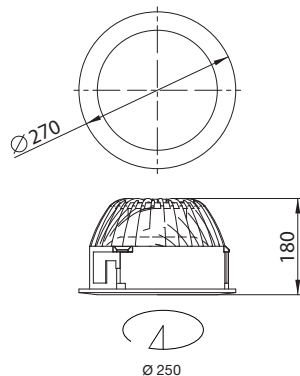


Recessed IP44 LED downlight.
 Body is made of steel and aluminium and it is available in all RAL colours.
 Light source - Philips Fortimo LED DLM module.
 Standard EVG ballast, Touch DALI version on request (please add TD after index number).
 This LED downlight is also available with 3 hour emergency unit.

High quality, energy efficient white LED light with CRI 80.

Perfect replacement for CFL downlights in:

- Offices
- Public buildings
- Hotel lobbies and receptions
- Retail



Index no.	Lumen output	Wattage	Colour temp.	Colour rendering index	Lifetime	Weight
0000-004577.1100/830	1100 lm	14 W	3000 K	80 Ra	50,000 h	1,90 kg
0000-004577.1100/840	1100 lm	12 W	4000 K	80 Ra	50,000 h	1,90 kg
0000-004577.2000/830	2000 lm	24 W	3000 K	80 Ra	50,000 h	1,90 kg
0000-004577.2000/840	2000 lm	22 W	4000 K	80 Ra	50,000 h	1,90 kg
0000-004577.3000/830	3000 lm	37 W	3000 K	80 Ra	50,000 h	1,90 kg
0000-004577.3000/840	3000 lm	34 W	4000 K	80 Ra	50,000 h	1,90 kg
0000-004577.5000/830	5000 lm	62 W	3000 K	80 Ra	50,000 h	1,90 kg
0000-004577.5000/840	5000 lm	57 W	4000 K	80 Ra	50,000 h	1,90 kg

