

PLATOON

VANDAL RESISTANT AMENITY LIGHTING



Shallow compact robust amenity luminaire with fully welded fabricated steel construction. Removable gear tray. Heavy duty polycarbonate diffuser in clear prismatic or opal, fixed with 4 No resist torx stainless steel security screws.

Surface



Ski - Slope



Recessed



- IP65 - IK10 ++
- Fabricated Steel Body
- Optional VANDACOAT offering enhanced Corrosion/Vandal & Graffiti Resistant Coating System
- Surface & Recessed Versions
- Opal or Clear Prismatic polycarbonate Diffuser
- Torx Security Screw Fixing
- Removable High Frequency Gear Tray
- 60° Ski - Slope Version for Surface Range
- Various RAL colour options
- Microwave Motion Detection option
- Longlife 50,000 hrs Fluorescent options
- LED Option

Applications:

Public Spaces, Car Parks, Canopies, Subways, External Lighting, Public Authority, etc.



RANGE AVAILABLE

Index No.	Description	Weight
Surface Version		
PLA162D	16W 2D HF TC-DD Surface Luminaire	4 kg
PLA282D	28W 2D HF TC-DD Surface Luminaire	4 kg
PLA382D	38W 2D HF TC-DD Surface Luminaire	4 kg

Recessed Version - cut out 275mm x 275 mm

PLAR162D	16W 2D HF TC-DD Recessed Luminaire
PLAR282D	28W 2D HF TC-DD Recessed Luminaire
PLAR382D	38W 2D HF TC-DD Recessed Luminaire

Suffix

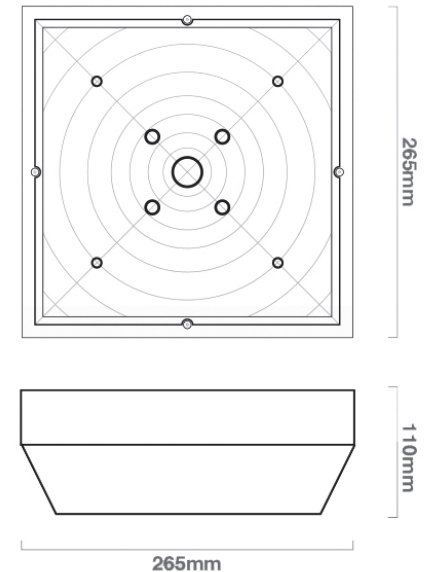
/SKI	60° Ski Slope Top
/O	Opal Diffuser
/P	Prismatic Diffuser
/B	Black Paint Finish
/W	White Paint Finish
/PC	Integral Photocell
/EM3	3 Hour Internal Emergency
/SS	Security Screws
/SD	Security Screw Driver
/M-Wave	Microwave Motion Detection option
/LIFE	Long Life Fluorescent option
/VCOTE	VANDACOAT Enhanced External Coating System

LED VERSIONS

Wattage p/mtr	No LED's	mA	Lms	Weight
PLA(R)16wLED	60	500	1500	4 kg
PLA(R)23wLED	60	700	2100	4 kg
PLA(R)26wLED	72	700	2500	4 kg

Note EM3 version c/w 4 x 1W LED
Available in colour tem 3000/4000/5000K

*Eyelid option on request *Alternative RAL colours on request



Cut out 275mm x 275mm
Recessed version

