

X400 LED

EXAMINATION LIGHT



SPECIFICATIONS

LED life	50,000 hours
Light intensity	68,000 lux @ 0.5m ±5%
	17,000 lux @ 1.0m ±5%
Ra	97
R9	98
Low voltage	30V 700mA
Power consumption	15w
Colour temperature	4,300K (neutral white light)

ORDER CODES

X400LC	X400 LED ceiling mount examination light
X400LW	X400 LED wall mount examination light
X400LM	X400 LED mobile mount examination light (with spring balanced arm)
CMC	Ceiling mount cover (required for conventional ceilings)
XBB24LEDCW	24V battery backup power system

X400 LED is a premium quality examination light for use in all general medical diagnosis and procedures.

The X400 examination light has a large diameter light-patch providing excellent illumination.

The X400 has single-handed lighting control, on/off and variable intensity, from a single switch. A smooth, fully enclosed light-head assists with the management of infection control. Available as wall, ceiling and mobile versions which include the most versatile spring balanced suspension arms available for effortless repositioning.

Features:

- Variable Intensity from 0% to 100%.
- Excellent colour rendering - totally natural skin tones.
- Emits no infrared radiation - no increase in temperature in the light-field.
- A strong beam of light with an even intensity across the entire area for clearer viewing and reduced eye strain.
- No life-risk voltage at the light-head.

BioProtect® coating

BioProtect® is an antimicrobial solution coating applied to our products for infection control. Infection is the highest risk in patient environments. BioProtect® provides excellent protection against illness-causing bacteria such as MRSA, Salmonella, E. coli, Campylobacter and many other bacteria and fungal growths.



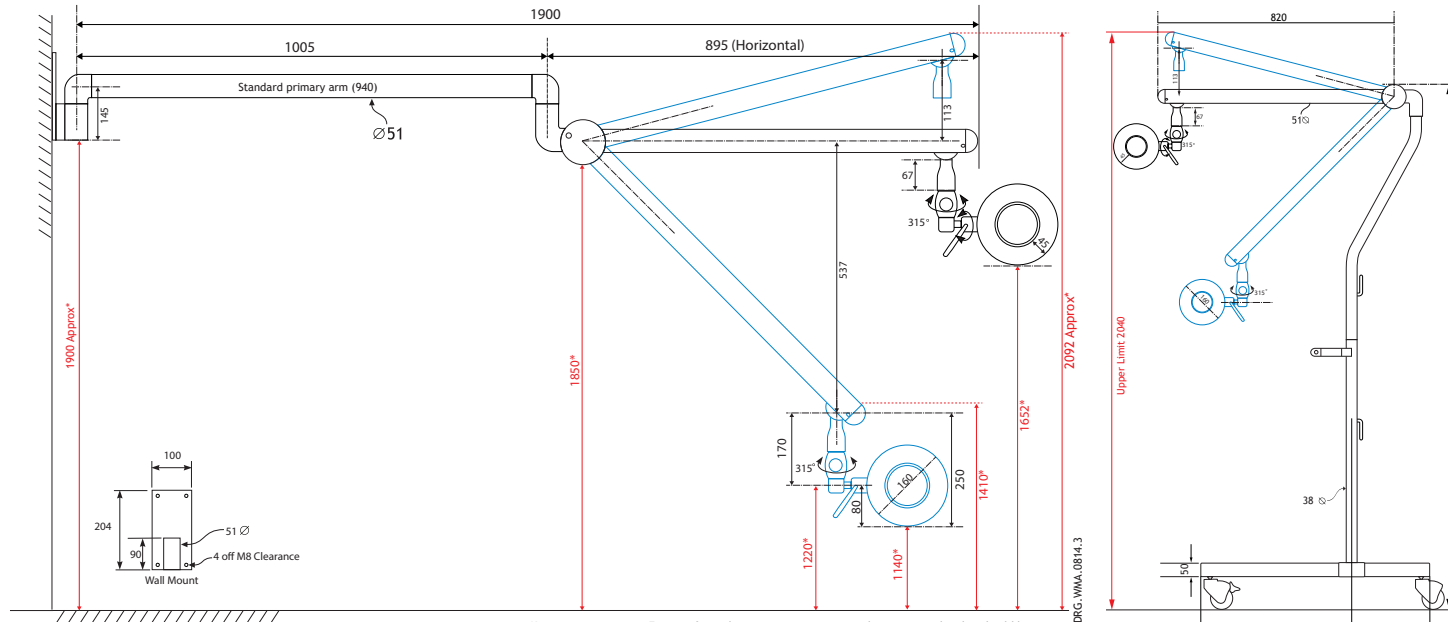
X400 WALL MOUNT

X400 CEILING MOUNT

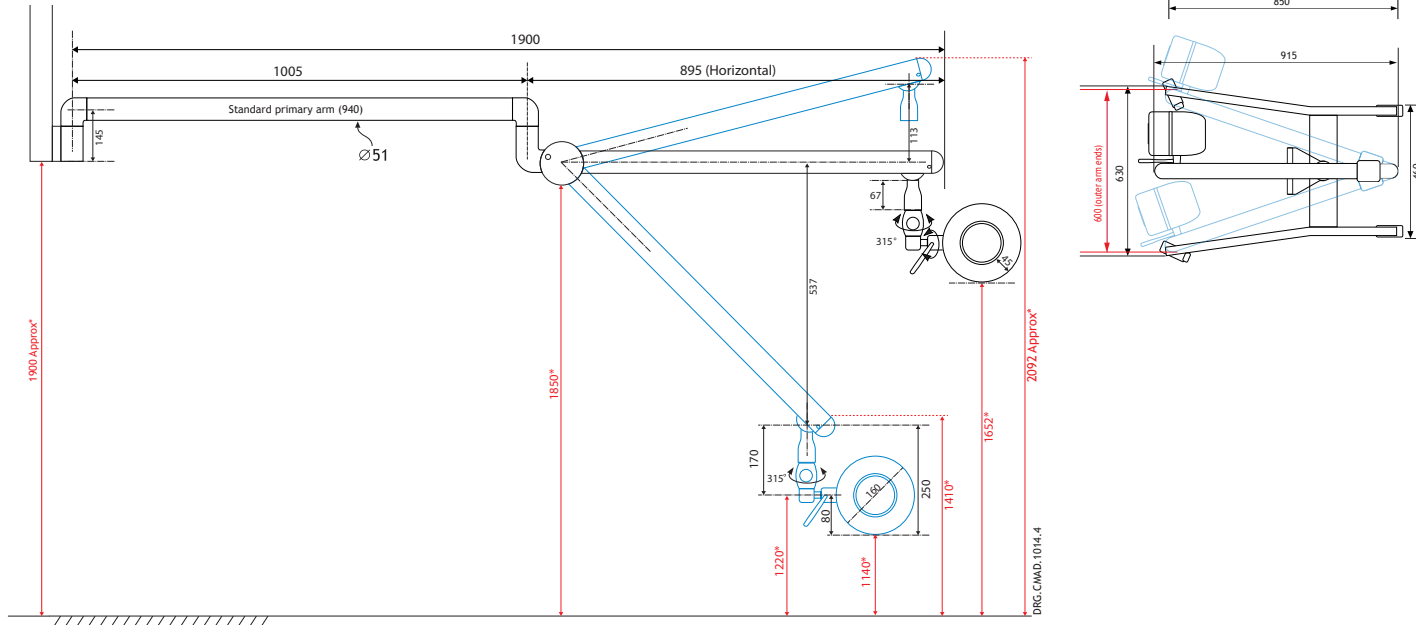
X400 MOBILE MOUNT

X400 LED

EXAMINATION LIGHT



*Dimension suggestion. For specific applications or environments, then mounting bracket should be installed at a height so that, when fitted, the lighthouse is as near to the required position as possible.



*Dimension suggestion. For specific applications or environments, then mounting bracket should be installed at a height so that, when fitted, the lighthouse is as near to the required position as possible.