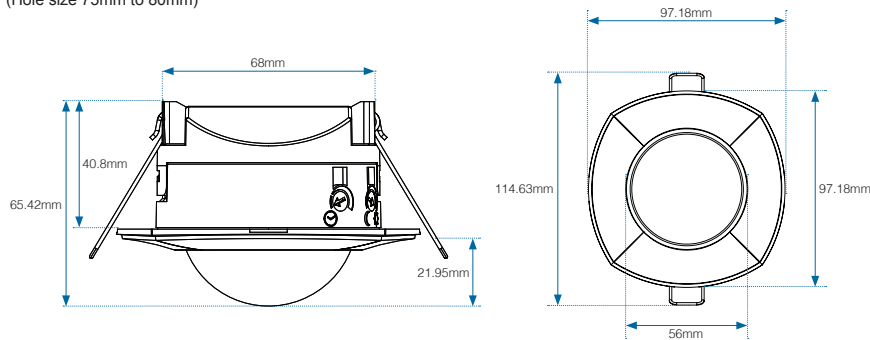


GARSWITCH

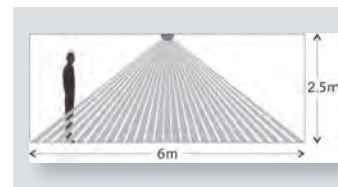
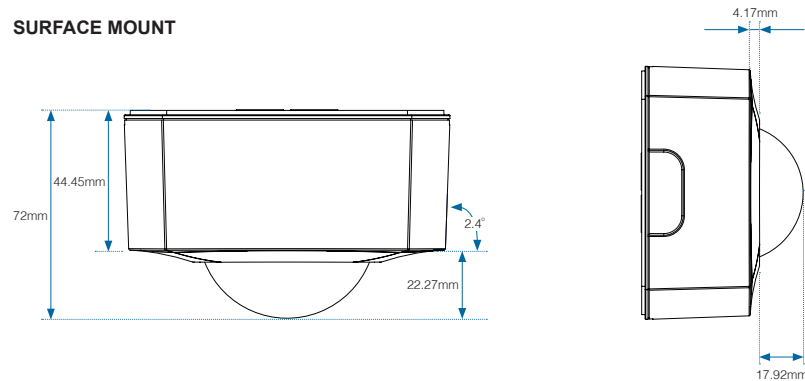
SWITCHING PIR SENSORS



FLUSH MOUNT
(Hole size 75mm to 80mm)



SURFACE MOUNT



Cone shaped detection pattern.
Optimum mounting height of 2.5m, gives
detection diameter of 6m

Innovative dual mount system requires only one sensor for either flush or surface mount applications.

Features & Benefits

- Reliable occupancy detection
- Integrated daylight sensing
- Quick, easy commissioning with simple local controls for time delay and lux level adjustment
- Detection range of up to 6m diameter at 25°C at 2.5m mounting height
- Mounting height: recommended ceiling mount 1.8m to 3m
- Manual override operation
- Simplified installation
- Surface mount, can be fixed direct to the ceiling or on to a circular conduit or BESA box

Applications:

Offices, Corridors, Toilets, Storage Areas

Technical Data

Technology	PIR
Coverage	360°
Detection Range	Up to 6 metres diameter (3m radius) at mounting height of 2.5m
Operating Voltage	220 – 240VAC / 50 Hz
Delay time	5 seconds to 15 minutes
Load Rating	6A
Operating Temperature	0° C - 40° C
LUX Level Adjustment	5 to 1000 LUX
Fascia Colour	White (RAL9010)
Material	Flame retardant PC/ABS
IP Rating	Surface mount IP44 Flush mount IP44 (Sensor section only) IP20 (Ceiling board onwards)
Approvals	Conforms to latest directives

SWITCHABLE LOAD

	Max 2000W		Max 120W
	Max 500W		Max 110W
	Max 400W		Max 75W