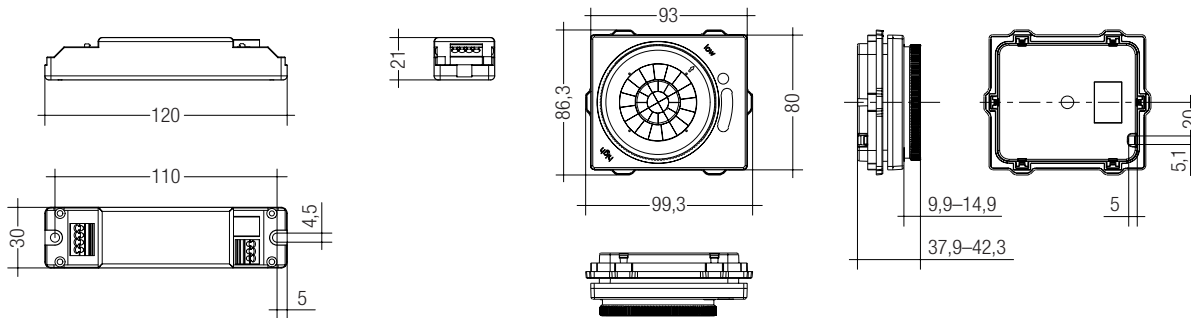




basicDIM ILD 16DPI 69f

Compact control module with ambient light sensor and motion sensor. The basic DIM ILD provides the basis for an easy-to-use and cost-effective lighting system with motion detection. When the sensor detects movement it triggers a individual adjustable motion detection profile in the control unit. As the amount of natural ambient light changes the illuminance from the artificial lighting system is adjusted. The connected luminaires can be switched on and off via momentary-action switch or remote control possible. IR is always active.

- Compact dimensions for luminaire installation
- For up to 10 DSI or DALI ballasts (max. 5 per output channel)
- 2 DALI/DSI output channels with adjustable negative offset from channel 2 to channel 1
- Ambient light sensor with motion detector
- Max. installation height 16 m
- IP65 sensor head
- Switch input for on/off switching and dimming
- Can be remote controlled
- Individual adjustment of the parameters with basicDIM ILD Programmer or DSI-SMART Programmer
- 5-year guarantee



TECHNICAL DATA:

Rated supply voltage: 220 – 240 V
Mains frequency: 50 / 60 Hz
Power: 2W
Stand-by power: 0.5W
Momentary-action switch input for dimming: single
Digital control line DSI/DALI: 2
Control output (devices): 10
Max. output cable length at 1.5 mm²: 100 m
Operating temperature: 0 ... +60 °C
Storage temperature: -25 ... +70 °C
Type of protection controller: IP20
Type of protection sensor: IP65 ready
Max. casing temperature tc: 75°C

Ordering data

Type	Article number	Mounting	Packaging carton
basicDIM ILD 16DPI 69f	28001277	Luminaire installation	10 pc(s).

Specific technical data

Type	Detection				Max. cable length sensor
	Light detection angle	Light measurement at the sensor head ^①	Illuminance (factory default) ^②	Motion detection angle high/low	
basicDIM ILD 16DPI 69f	13°	1 – 500 lx	150 lx	72° / 60°	0.8 m

^① The measured value at the sensor head corresponds to approx. 15 to 2,000 lux on the surface measured.

^② The illuminance is set for a room defined by Tridonic. Depending on the actual room (reflectance) the measured illuminance may deviate from this value. The illuminance should therefore be checked in the installation and adjusted if necessary.