



654

METEOR 1



654

METEOR 2



656

METEOR 3



656

METEOR MINI



OUTDOOR

31
GROUND
MOUNTED
LUMINAIRES

METEOR 1

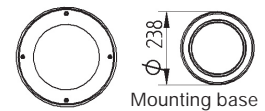
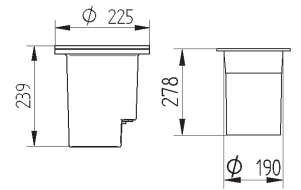
Ground mounted outdoor luminaire. Body is made of stainless steel and aluminium. Front ring is available in different RAL colours. Light source - PAR30.



METEOR 1 SQ



Index no.	Lamp	Weight	Socket
0000-002745.50.8	QT12 50W, 8 degrees	4,00 kg	GY-6.35
0000-002745.50.25	QT12 50W, 25 degrees	4,00 kg	GY-6.35
0000-002745.50.50	QT12 50W, 50 degrees	4,00 kg	GY-6.35
0000-002745.50.58	QT12 50W, 58 degrees	4,00 kg	GY-6.35
0000-002704.118V	VVG, 1x18W TC-D	4,10 kg	G24d-2
0000-002705.135V	VVG, 1x35W CDM-T	4,50 kg	G12
0000-002705.170V	VVG, 1x70W CDM-T	4,50 kg	G12
0000-002707.135V	VVG, 1x35W HIPAR-L 30	4,50 kg	E27
0000-002707.170V	VVG, 1x70W HIPAR-L 30	4,50 kg	E27



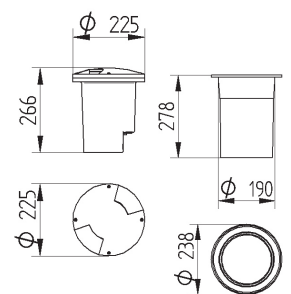
Mounting base

METEOR 2

Ground mounted outdoor luminaire. Body is made of stainless steel and aluminium. Front ring is available in different RAL colours. Light source - PAR30.



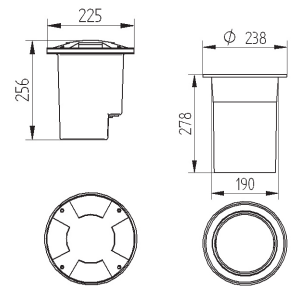
Index no.	Lamp	Weight	Socket
0000-002319.126V	VVG, 1x26W TC-D	4,10 kg	G24d-3
0000-002746.170V	VVG, 1x70W HIPAR-L 30	4,50 kg	E27



Mounting base



Ground mounted outdoor luminaire. Body is made of stainless steel and aluminium. Front ring is available in different RAL colours. Light source - PAR30.



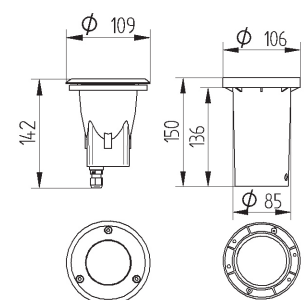
Index no.	Lamp	Weight	Socket
0000-002034.126V	VVG, 1x26W TC-D	4,10 kg	G24d-3
0000-002747.170V	VVG, 1x70W HIPAR-L 30	4,50 kg	E27

Mounting base

METEOR MINI



Ground mounted outdoor luminaire. Body is made of stainless steel and aluminium. Front ring is available in different RAL colours. Light source - Philips Master LED Spot.



Index no.	Lamp	Weight	Socket
0000-002748.20.10	QT9 20W, 10 degrees	0,70 kg	G4
0000-002748.20.20	QT9 20W, 20 degrees	0,70 kg	G4
0000-002748.20.30	QT9 20W, 30 degrees	0,70 kg	G4
0000-002748.125	QT14 25W	0,70 kg	G9

Mounting base