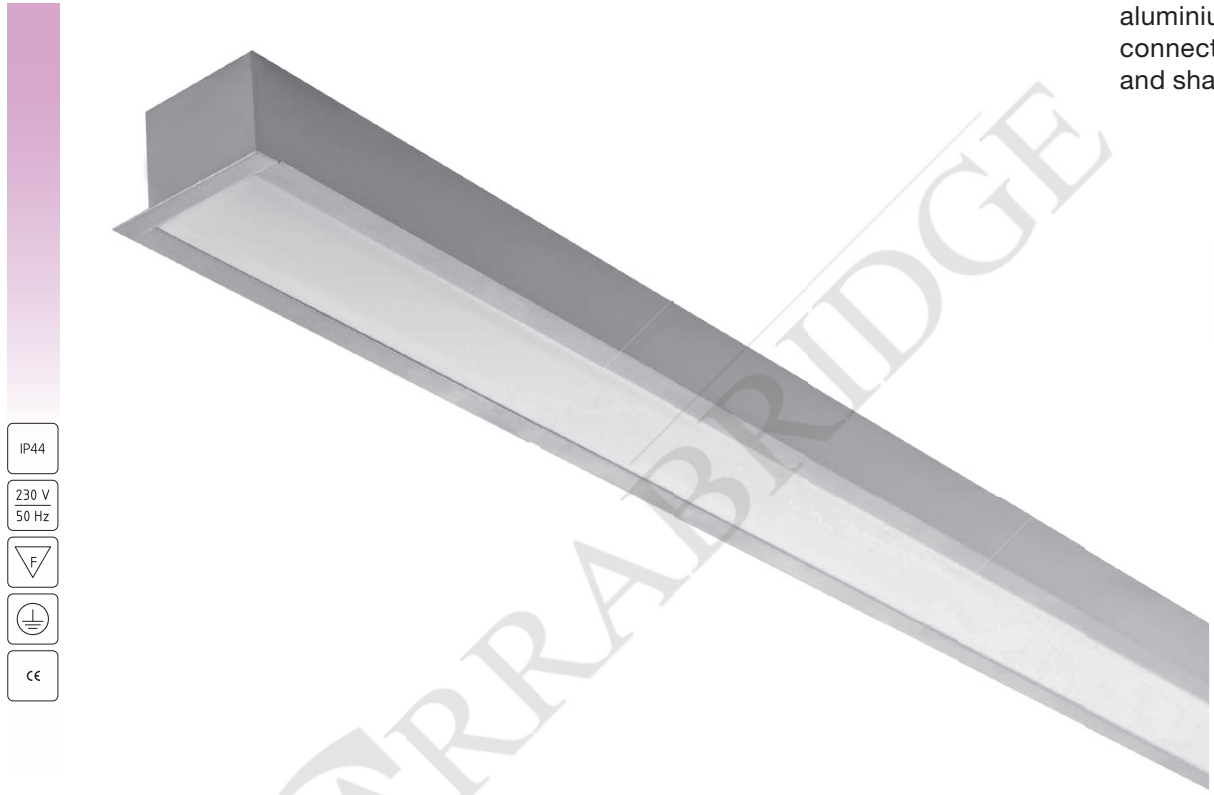


Recessed luminaire for T5 lamp with opal diffuser. Body is made of aluminium profile. All RAL colours are available. This luminaire can be connected in long lighting lines. We can prepare it in different lengths and shapes on request.



- IP44
- 230 V
50 Hz
- F
- ⊕
- CE



Index no.	Lamp	Weight	Length	Socket
542.114E	EVG, 1x14 W T5	1,30 kg	600 mm	G-5
542.124E	EVG, 1x24 W T5	1,30 kg	600 mm	G-5
542.121E	EVG, 1x21 W T5	1,55 kg	900 mm	G-5
542.139E	EVG, 1x39 W T5	1,55 kg	900 mm	G-5
542.128E	EVG, 1x28 W T5	1,85 kg	1200 mm	G-5
542.154E	EVG, 1x54 W T5	1,85 kg	1200 mm	G-5
542.135E	EVG, 1x35 W T5	2,20 kg	1500 mm	G-5
542.149E	EVG, 1x49 W T5	2,20 kg	1500 mm	G-5

- L - 585 x 52
- L - 885 x 52
- L - 1185 x 52
- L - 1485 x 52

